

Single DUO mechanism: New function allowing changing from a toggle to a push-button lever, with the same reference, using just a single press (e.g. with a screwdriver).

## 1 INSTRUCTIONS AND RECOMMENDATIONS



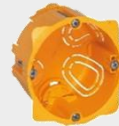
Switch off the mains before commencing any work



Strip the wires back for about 12mm  
Cable cross-section 0.5 min / 2.5mm<sup>2</sup> max



Mechanisms fitted with terminals with automatic connections



For single units, use casings 50mm deep,  
diameter 67 or 68mm

## 2 WIRING



Installation by a person with the appropriate skills.

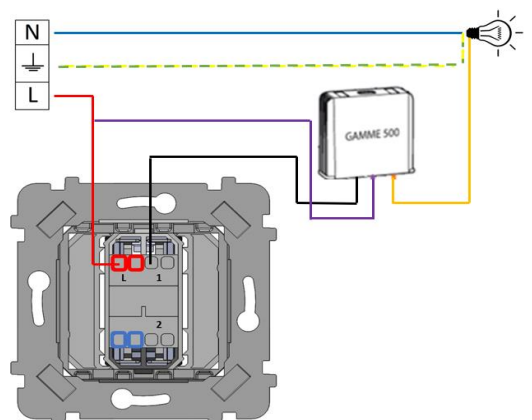
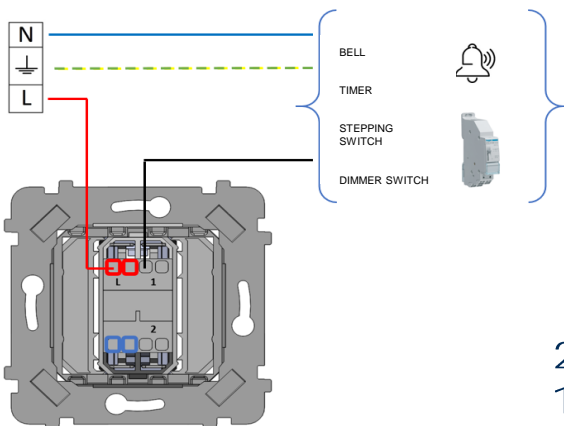
 **N** neutral – blue cable

 **L** phase – red cable

  earth – green/yellow cable

Push-button + Panel module

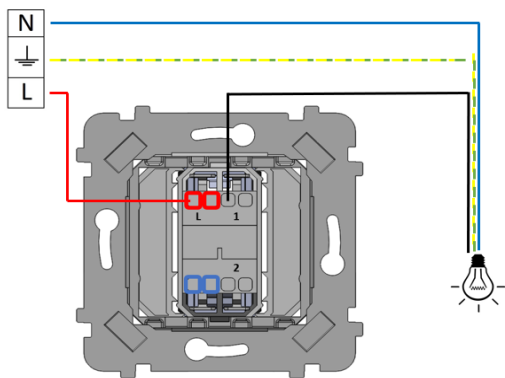
Push-button + back box micro-module for dimmer control (Yokis type)



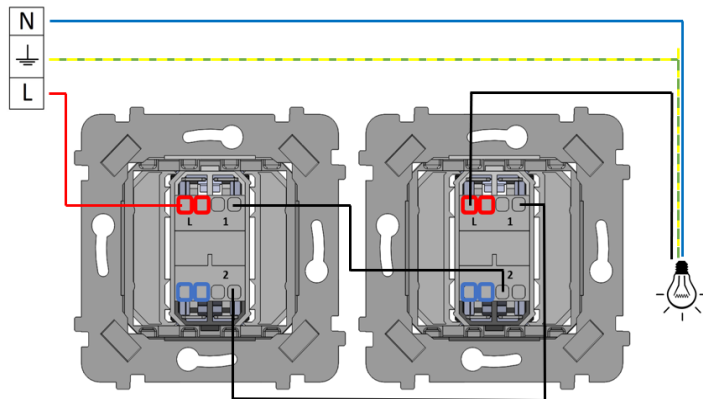
250V~  
10A



Single switch

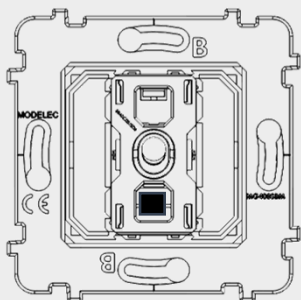


Toggle mode

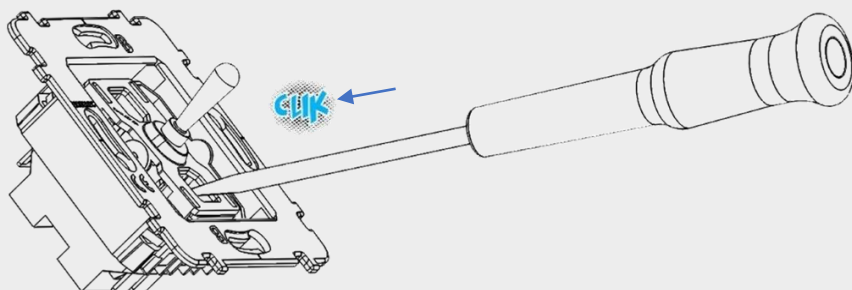


## 3 CHANGING TOGGLE SWITCH TO PUSH-BUTTON

Take the toggle mechanism



Using a screwdriver, push the black square until it clicks



→ This turns it into a push-button mechanism



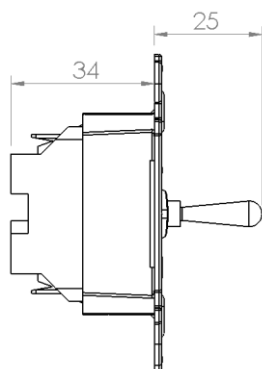
Reverse procedure for switching from push-button to toggle



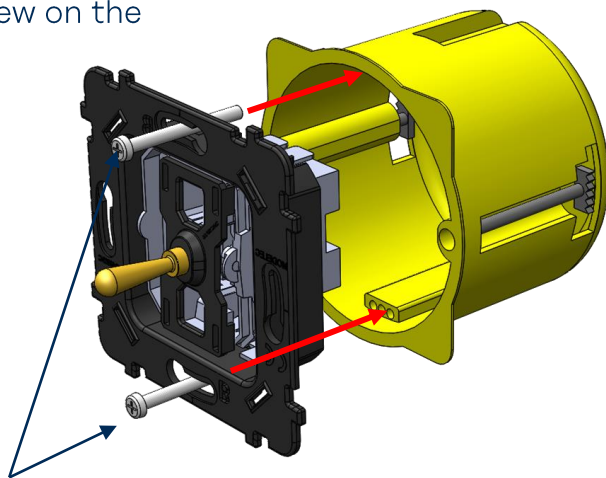
Note: The buttons for the -M- collection are delivered unassembled. To access the "DUO" function described above, just clip them on after selecting the toggle or push-button function.

## 4 FITTING

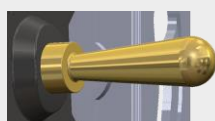
After wiring according to the instructions, place the mechanism in the flush-mount box and screw on the plate according to the diagram opposite.



Screws supplied with the flush-mount box.



## 5 TABLE OF RELEVANT REFERENCES



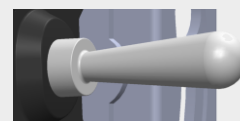
xx = GOLD



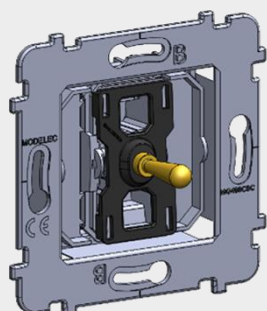
STEEL



BLACK



WHITE

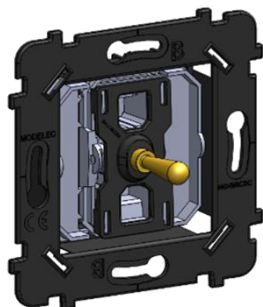


Reference and description:

087-010Gxx S DUO LEVER

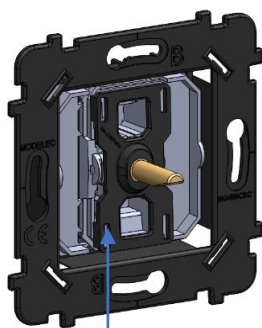
Compatible with:

Confidence and Fascination  
Collection



087-010Bxx S DUO LEVER

Désir and Karo Collection



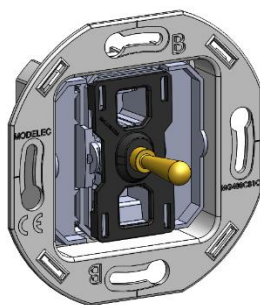
087-010BxxN S DUO LEVER HI SBLACK

087-010BxxB S DUO LEVER HI SWHITE

Hitera Collection only

Black support (N) for 482/486/491/492 finishes

White support (B) for 481/485 finishes



087-010Wxx S DUO LEVER

Iris Collection only

## 6 CERTIFICATIONS

DUO 087 mechanisms comply with IEC 60669-1:2017 EN 60669-1:2018.